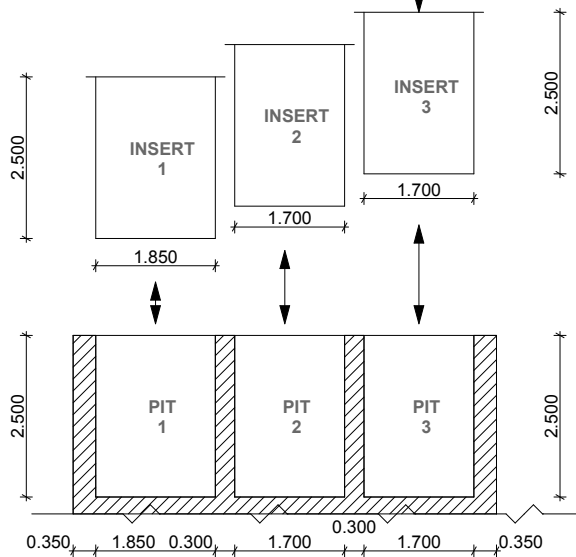
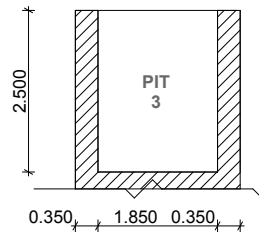


PLAN

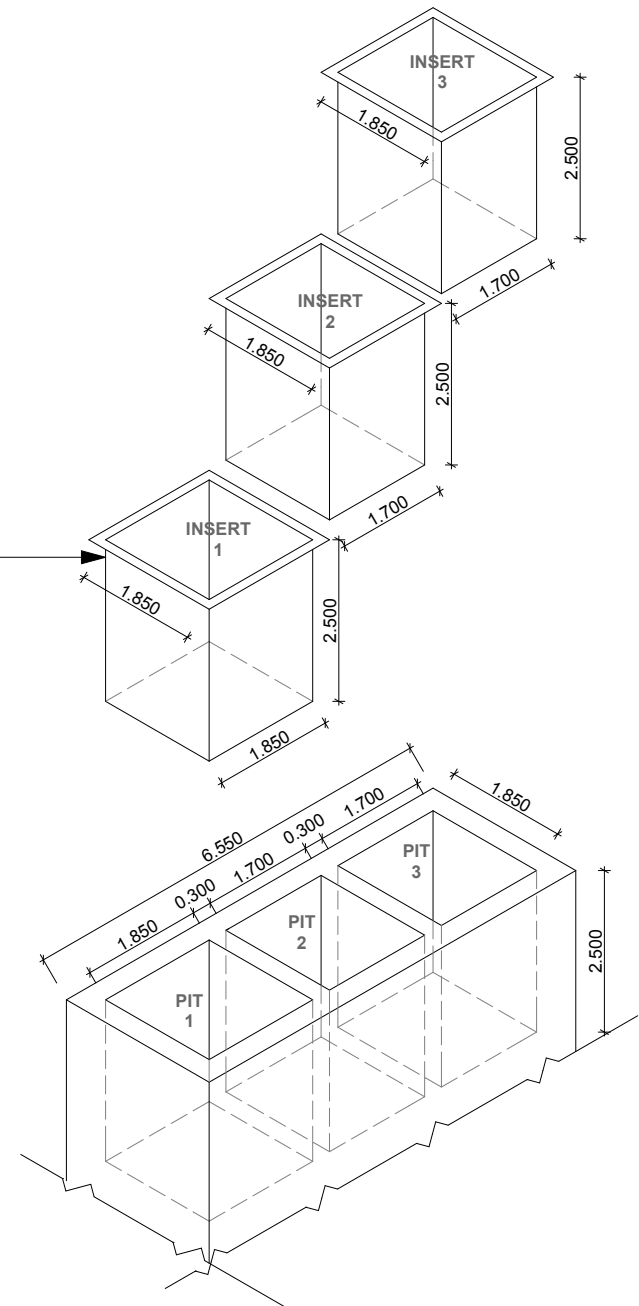
NB. inserts to be
3mm stainless steel - AISI-316



SECTION X-X



SECTION Z-Z



AXONOMETRIC VIEW